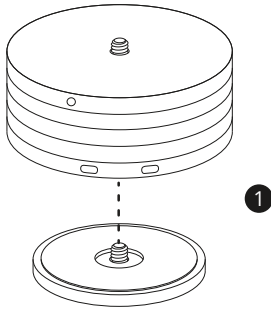


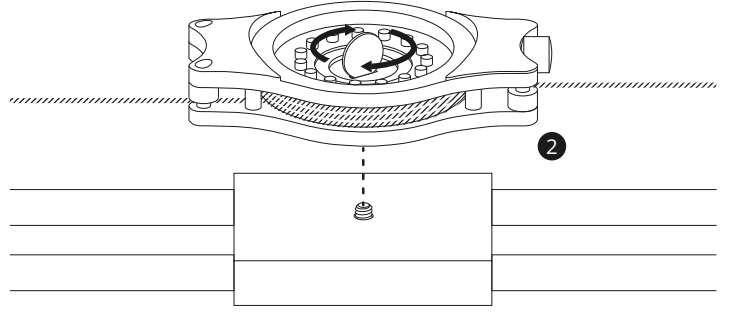
# ASTRO LINEAR MOUNT

[www.orderastro.com](http://www.orderastro.com)

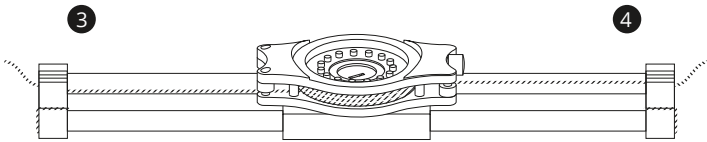
Thank you for ordering the Linear Mount!  
The Linear Mount requires the latest version of the Astro Companion smartphone app.  
Get the updated app in the Apple App Store or Google Play Store.



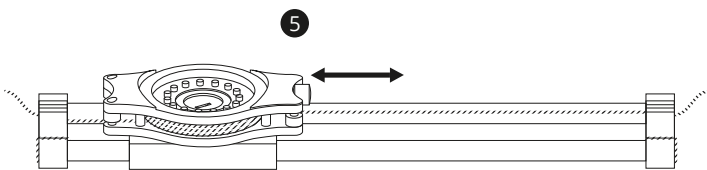
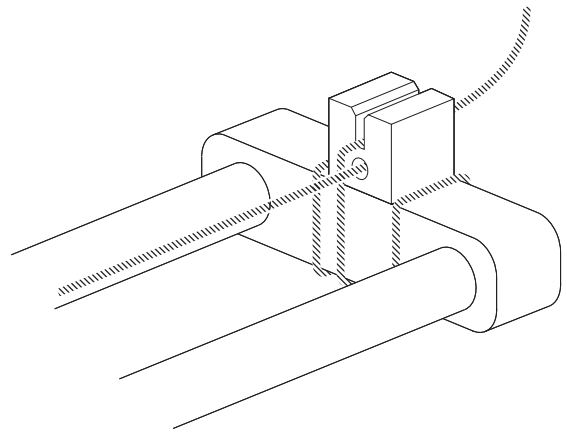
1. Attach the Linear Mount's round plate to Astro.



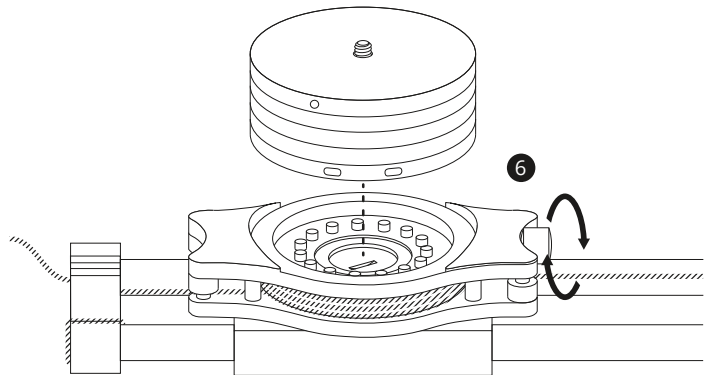
2. Attach the Linear Mount to your slider using a coin.



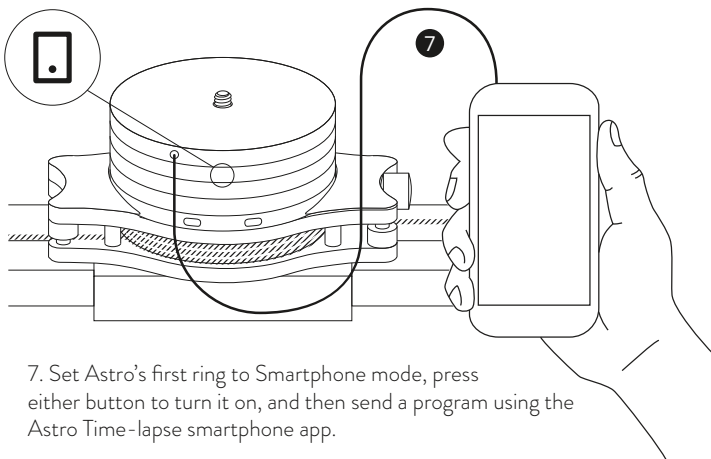
3. Secure the rope to one end of the slider.  
4. Tighten the rope and firmly secure to the second side of the slider.



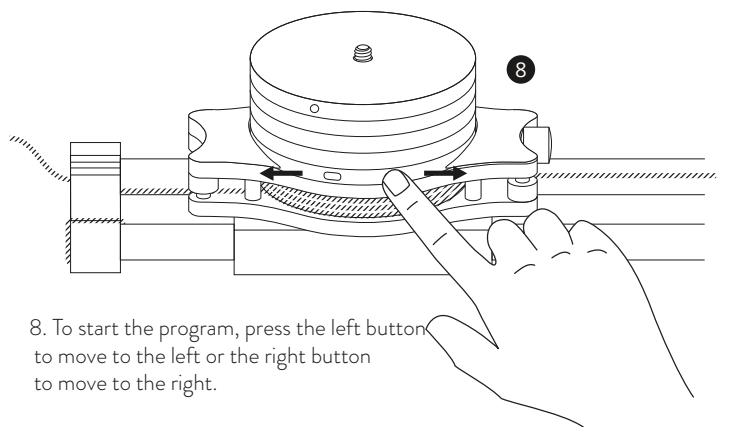
5. Move your slider to the desired starting position.



6. Attach Astro to the Linear Mount and tighten using the thumb screw. Note. Make sure the right button in Astro is facing the thumb screw.



7. Set Astro's first ring to Smartphone mode, press either button to turn it on, and then send a program using the Astro Time-lapse smartphone app.



8. To start the program, press the left button to move to the left or the right button to move to the right.